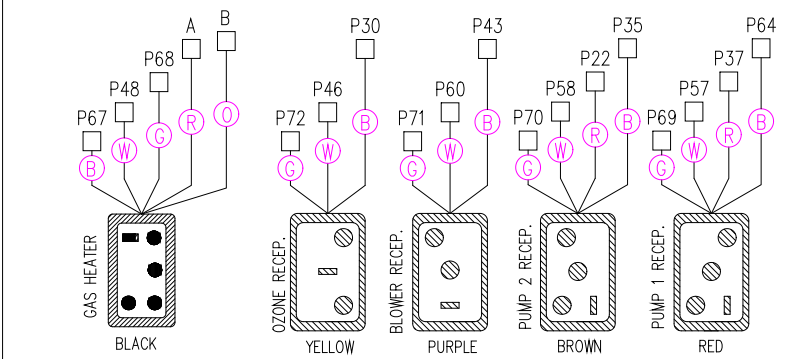
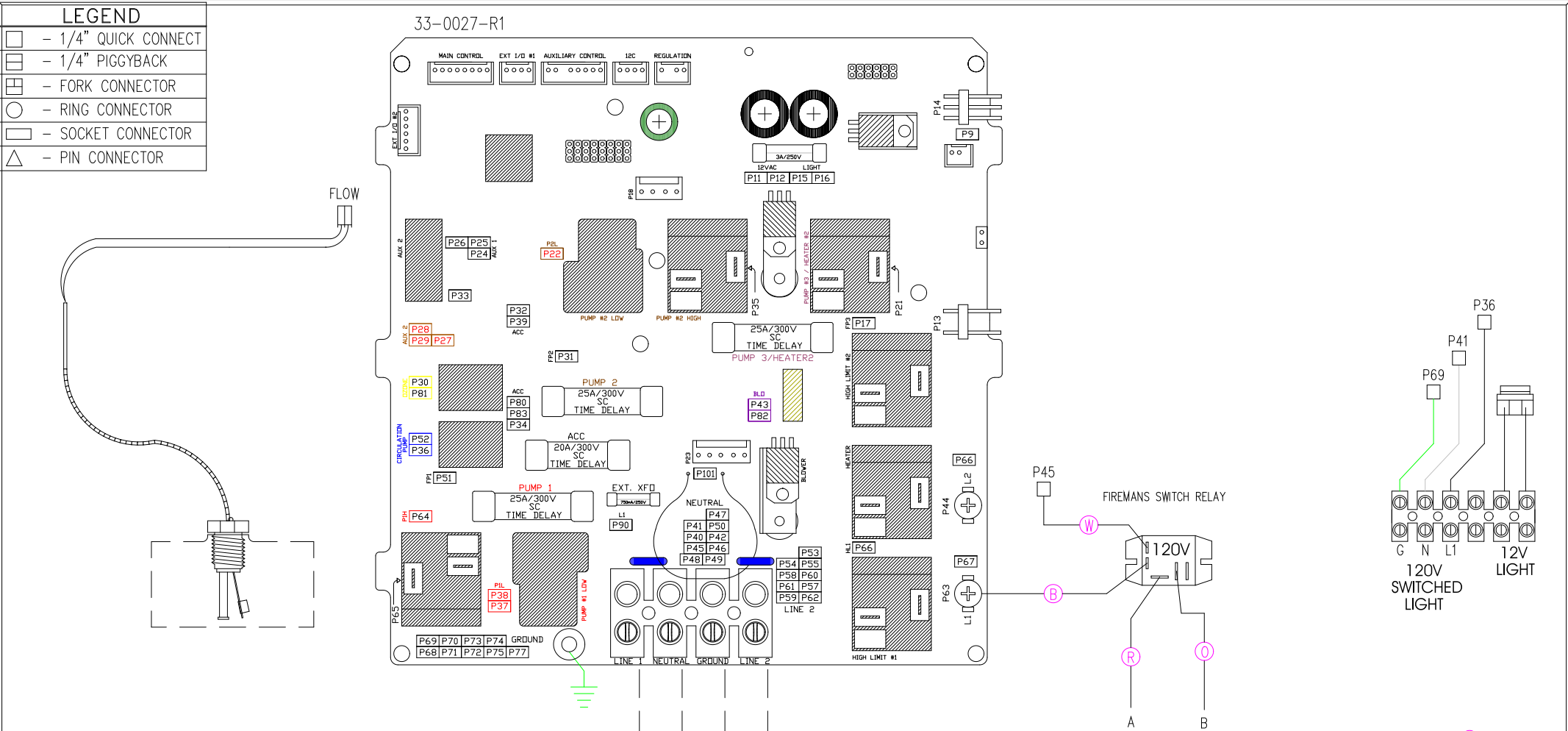


| LEGEND | |
|--------|----------------------|
| | - 1/4" QUICK CONNECT |
| | - 1/4" PIGGYBACK |
| | - FORK CONNECTOR |
| | - RING CONNECTOR |
| | - SOCKET CONNECTOR |
| | - PIN CONNECTOR |



MAIN INPUT SERVICE
SEE MANUAL

13-0014A Housing

HYDRO-QUIP
CORONA, CA (909) 273-7575

Manufacture Notes:

Dwg. No.
G822A0-KLPQY-J

| | | | |
|-------------|----------|-----|----|
| Drawn | MBS | Rev | 02 |
| Date | 02.09.09 | | |
| Diagram No. | 5161 | | |

| Wire Color Code | | | |
|-----------------|-----------|------------|------------|
| B - Black | G - Green | Bl - Blue | V - Violet |
| Br - Brown | W - White | Y - Yellow | Gr - Gray |
| R - Red | | | |
| O - Orange | | | |
| Y - Yellow | | | |

